

Installation Note

Frequency Offset Mode Upgrade Kit

For PNA Series Microwave Network Analyzers

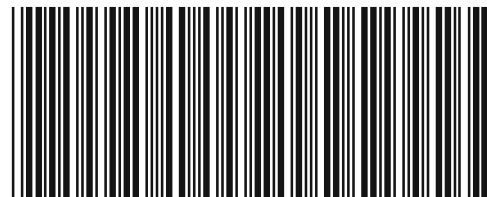
Network Analyzer Model Number	Upgrade Kit Part Number
E8361A, E8362B, E8363B, E8364B	E8362-60111



Agilent Part Number: E8362-90010

Printed in USA February 2004

© Agilent Technologies, Inc. 2002–2004



E8362-90010

WARRANTY STATEMENT

THE MATERIAL CONTAINED IN THIS DOCUMENT IS PROVIDED “AS IS,” AND IS SUBJECT TO BEING CHANGED, WITHOUT NOTICE, IN FUTURE EDITIONS. FURTHER, TO THE MAXIMUM EXTENT PERMITTED BY APPLICABLE LAW, AGILENT DISCLAIMS ALL WARRANTIES, EITHER EXPRESS OR IMPLIED WITH REGARD TO THIS MANUAL AND ANY INFORMATION CONTAINED HEREIN, INCLUDING BUT NOT LIMITED TO THE IMPLIED WARRANTIES OF MERCHANTABILITY AND FITNESS FOR A PARTICULAR PURPOSE. AGILENT SHALL NOT BE LIABLE FOR ERRORS OR FOR INCIDENTAL OR CONSEQUENTIAL DAMAGES IN CONNECTION WITH THE FURNISHING, USE, OR PERFORMANCE OF THIS DOCUMENT OR ANY INFORMATION CONTAINED HEREIN. SHOULD AGILENT AND THE USER HAVE A SEPARATE WRITTEN AGREEMENT WITH WARRANTY TERMS COVERING THE MATERIAL IN THIS DOCUMENT THAT CONFLICT WITH THESE TERMS, THE WARRANTY TERMS IN THE SEPARATE AGREEMENT WILL CONTROL.

DFARS/Restricted Rights Notice

If software is for use in the performance of a U.S. Government prime contract or subcontract, Software is delivered and licensed as “Commercial computer software” as defined in DFAR 252.227-7014 (June 1995), or as a “commercial item” as defined in FAR 2.101(a) or as “Restricted computer software” as defined in FAR 52.227-19 (June 1987) or any equivalent agency regulation or contract clause. Use, duplication or disclosure of Software is subject to Agilent Technologies’ standard commercial license terms, and non-DOD Departments and Agencies of the U.S. Government will receive no greater than Restricted Rights as defined in FAR 52.227-19(c)(1-2) (June 1987). U.S. Government users will receive no greater than Limited Rights as defined in FAR 52.227-14 (June 1987) or DFAR 252.227-7015 (b)(2) (November 1995), as applicable in any technical data.

Safety Notes

The following safety notes are used throughout this document. Familiarize yourself with each of these notes and its meaning before performing any of the procedures in this document.

WARNING	Warning denotes a hazard. It calls attention to a procedure which, if not correctly performed or adhered to, could result in injury or loss of life. Do not proceed beyond a warning note until the indicated conditions are fully understood and met.
----------------	---

CAUTION	Caution denotes a hazard. It calls attention to a procedure that, if not correctly performed or adhered to, could result in damage to or destruction of the instrument. Do not proceed beyond a caution sign until the indicated conditions are fully understood and met.
----------------	---

About Installing the Upgrade Kit

Products affected	E8361A, E8362B, E8363B, and E8364B; all option combinations that include Option 014
Installation to be performed by	Agilent service center or personnel qualified by Agilent
Estimated installation time	1 hour
Estimated verification time	5 minutes

Description of Option 080 Frequency Offset Mode

Frequency offset mode allows the PNA source and receiver to be tuned to different frequencies. This is convenient, if not necessary, for testing frequency conversion devices, such as mixers and converters, where the input and output frequencies are different.

The PNA source, at one frequency, can be used as the input to the DUT, and the PNA receiver can be tuned to the output signal of the DUT at a different frequency.

Items Included in the Upgrade Kit

Check the contents of your kit against the following list. If any item is missing or damaged, contact Agilent Technologies. Refer to [“Getting Assistance from Agilent” on page 17](#).

Table 1 Contents of the Option 080 Upgrade Kit (E8362-60111)

Ref. Desig.	Description	Qty	Part Number
	Installation note (this document)	1	E8362-90010
	License key certificate	1	5964-5136
A9	Fractional-N synthesizer board	1	E8364-60099
A13	Frequency offset receiver board	1	E8364-60097
	Frequency offset receiver module	1	E8356-60018
	Gasket	1	N3381-20032
	RF cable, receiver module to receiver board	1	E8364-20142
	Machine screw	3	0515-1349
W91	RF cable, semi-rigid, A9 fractional-N synthesizer board J106 to A13 frequency offset receiver board J4	1	E8364-20140
W92	RF cable, semi-rigid, A9 fractional-N synthesizer board J101 to A13 frequency offset receiver board J2	1	E8364-20141
W93	RF cable, semi-rigid, A12 source 20 to A13 frequency offset receiver board RF IN	1	E8364-20143
W105	RF cable, flexible, A10 frequency reference board J11 to A9 fractional-N synthesizer board J105	1	E8364-60018
W106	RF cable, flexible, A13 frequency offset receiver board J6 to A35 receiver motherboard J502	1	E8364-60017

Installation Procedure for the Upgrade Kit

The network analyzer must be in proper working condition prior to installing this option. Any necessary repairs must be made before proceeding with this installation.

WARNING **This installation requires the removal of the analyzer's protective outer covers. The analyzer must be powered down and disconnected from the mains supply before performing this procedure.**

Electrostatic Discharge Protection

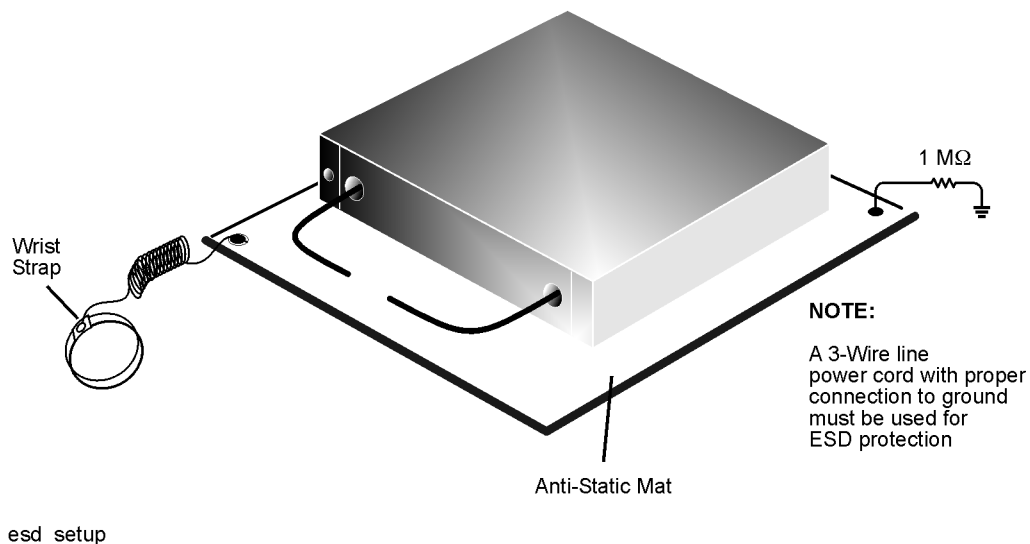
Protection against electrostatic discharge (ESD) is essential while removing or connecting cables or assemblies within the network analyzer.

Static electricity can build up on your body and can easily damage sensitive internal circuit elements when discharged. Static discharges too small to be felt can cause permanent damage. To prevent damage to the instrument:

- *always* wear a grounded wrist strap having a 1 M Ω resistor in series with it when handling components and assemblies.
- *always* use a grounded, conductive table mat while working on the instrument.
- *always* wear a heel strap when working in an area with a conductive floor. If you are uncertain about the conductivity of your floor, wear a heel strap.

Figure 1 shows a typical ESD protection setup using a grounded mat and wrist strap. Refer to “Tools and Equipment Required for the Installation” on page 5 for part numbers.

Figure 1 **ESD Protection Setup**



Overview of the Installation Procedure

Step 1. Remove the Outer and Inner Covers.

Step 2. Install the A13 Frequency Offset Receiver Assembly.

Step 3. Install the A9 Fractional-N Synthesizer Board.

Step 4. Install the Remaining New Cables.

Step 5. Reinstall the Inner and Outer Covers.

Step 6. Enable Option 080.

Tools and Equipment Required for the Installation

Description	Qty	Part Number
T-10 TORX driver (set to 9 in-lbs)	1	N/A
T-20 TORX driver (set to 21 in-lbs)	1	N/A
5/16-inch torque wrench (set to 10 in-lbs)	1	N/A
ESD grounding wrist strap	1	9300-1367
5-ft grounding cord for wrist strap	1	9300-0980
2 x 4 ft conductive table mat and 15-ft grounding wire	1	9300-0797
ESD heel strap (for use with conductive floors)	1	9300-1308

Step 1. Remove the Outer and Inner Covers

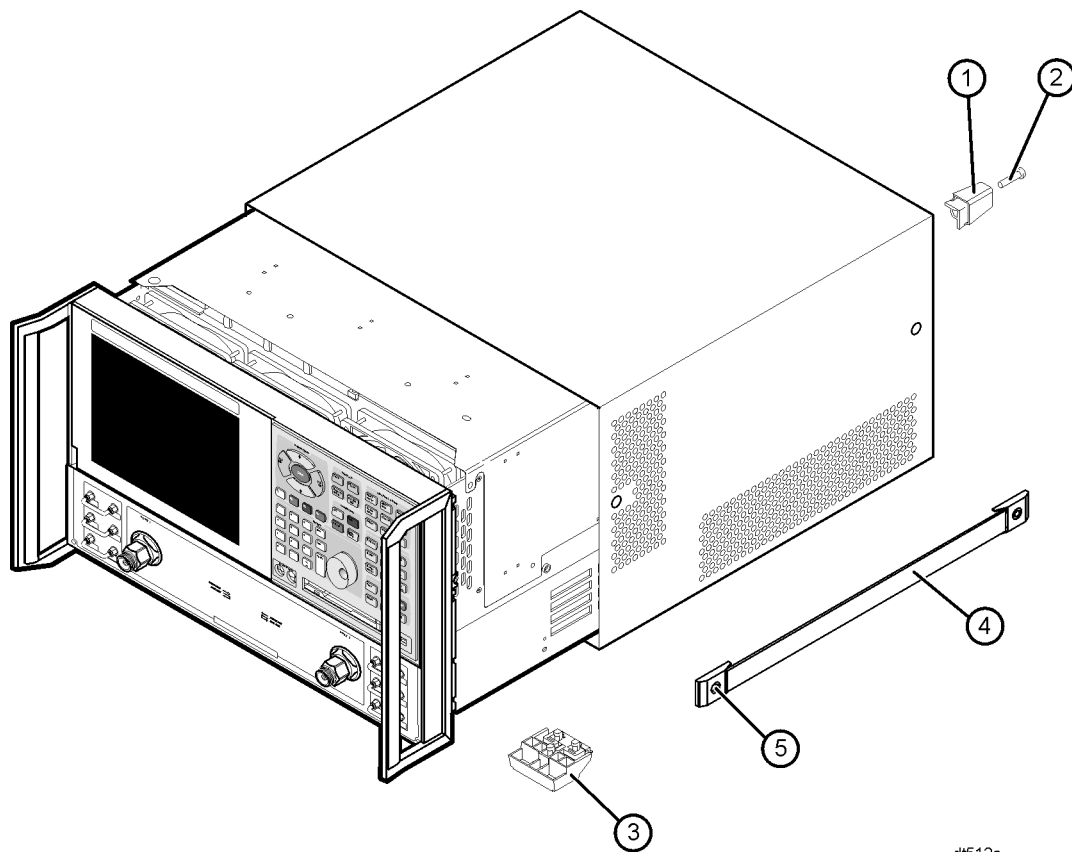
Remove the Outer Cover

Refer to [Figure 2](#) for this procedure.

CAUTION This procedure is best performed with the analyzer resting on its front handles in the vertical position. *Do not place the analyzer on its front panel without the handles.* This will damage the front panel assemblies.

1. Disconnect the power cord (if it has not already been disconnected).
2. With a T-20 TORX driver, remove the four rear panel feet (item ①) by removing the center screws (item ②).
3. Slide the four bottom feet (item ③) off of the cover.
4. With a T-20 TORX driver, remove the strap handles (item ④) by loosening the screw (item ⑤) on each end until the handle is free of the analyzer.
5. Slide the cover off of the frame.

Figure 2 Outer Cover Removal



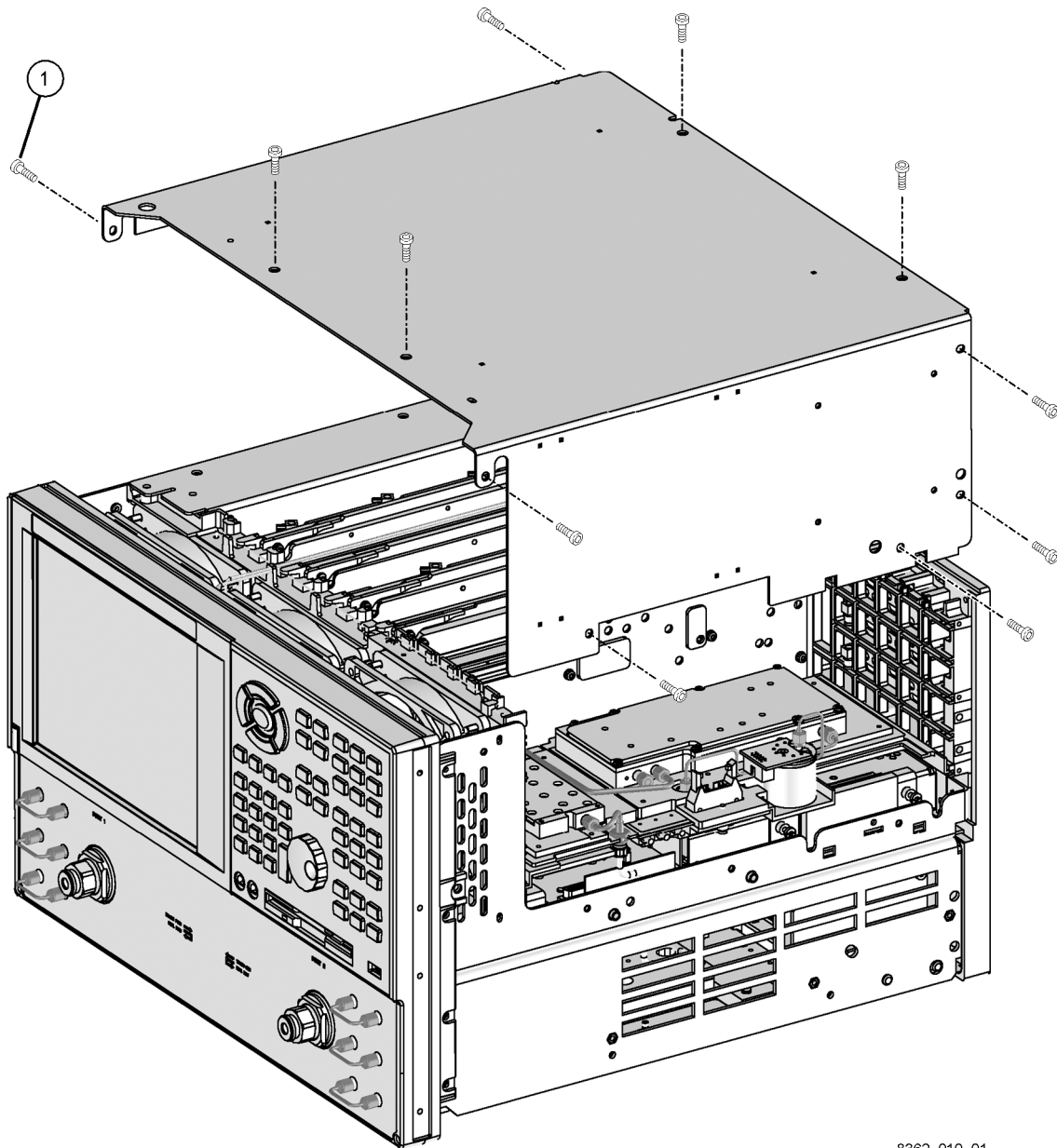
dt512a

Remove the Inner Cover

Refer to [Figure 3](#) for this procedure.

1. Place the analyzer top-side up on a flat surface.
2. With a T-10 TORX driver, remove the 11 screws (item ①).
3. Lift off the cover.

Figure 3 Inner Cover Removal



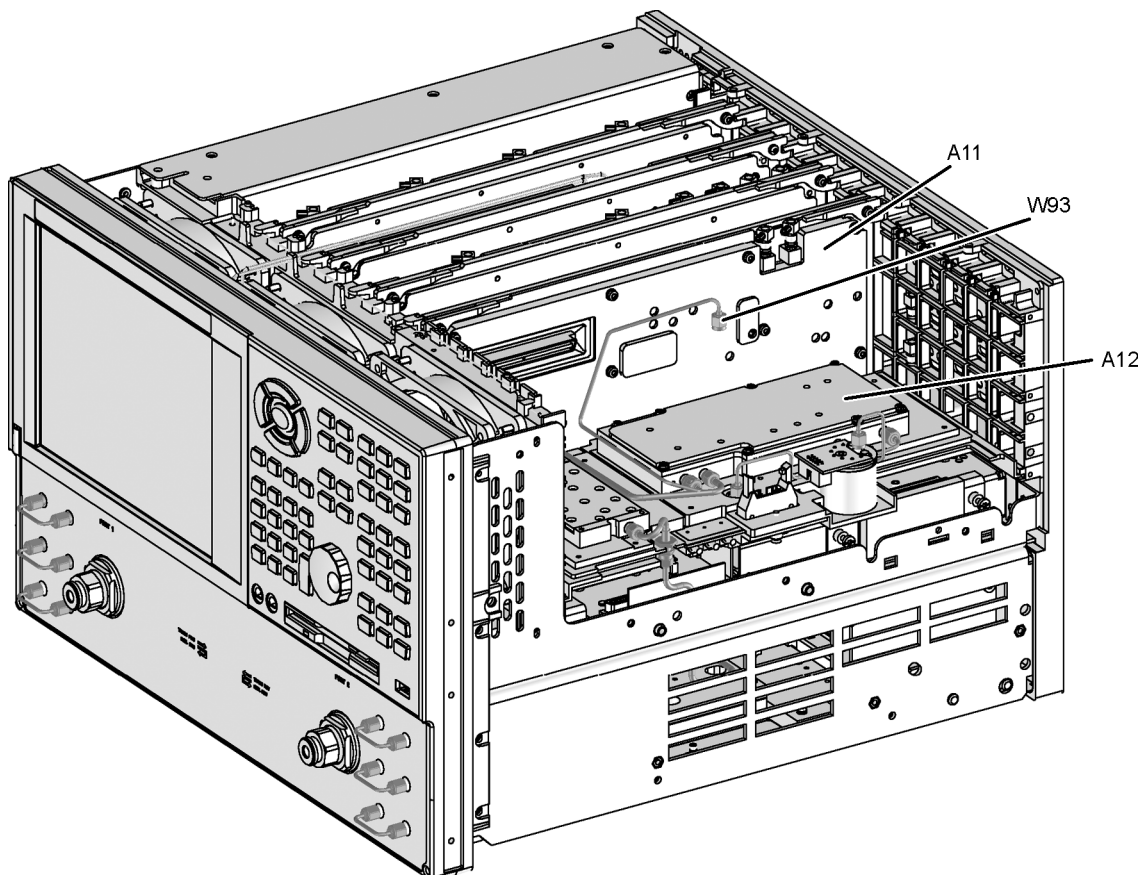
8362_010_01

Step 2. Install the A13 Frequency Offset Receiver Assembly

Refer to [Figure 4](#) and [Figure 5](#) for this procedure.

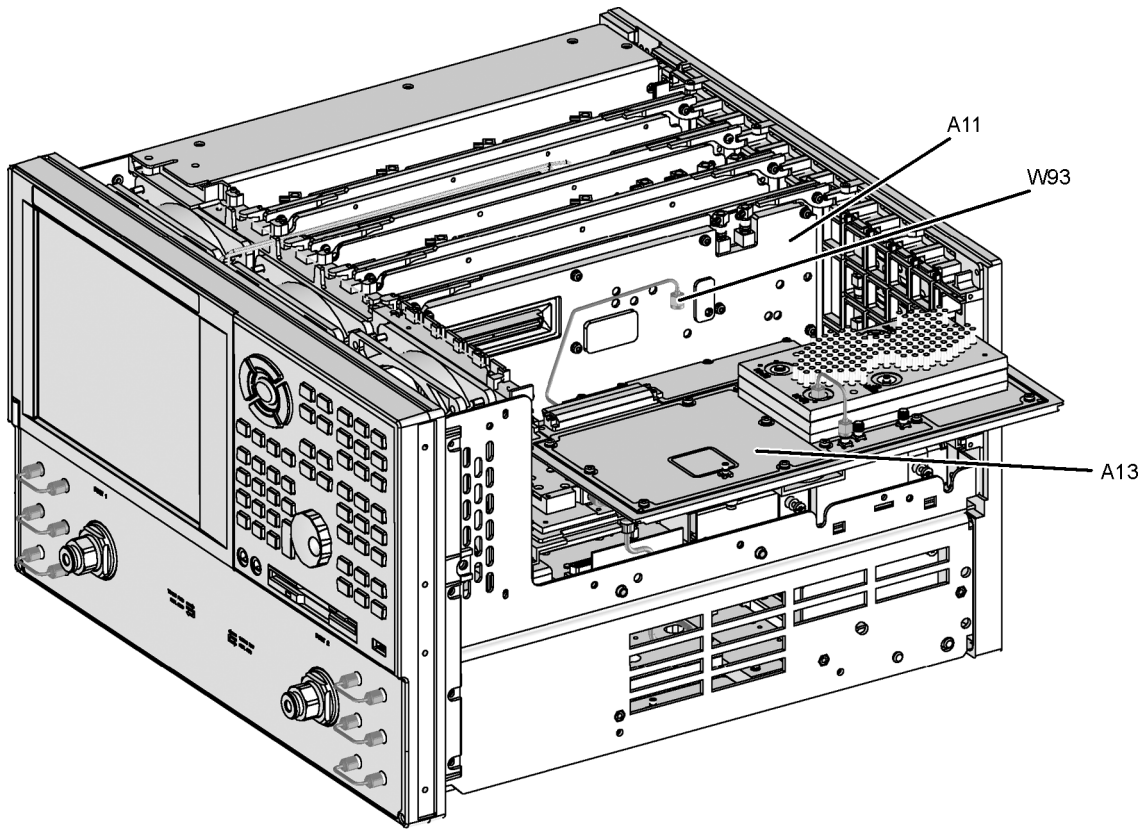
1. Assemble the A13 frequency offset receiver assembly (parts are listed in [Table 1](#)):
 - a. Position the frequency offset receiver module on the frequency offset receiver board, as shown in [Figure 5](#), with the gasket between the receiver module and the receiver board. Install the three screws to secure the receiver module to the receiver board.
 - b. Install the cable between the receiver module and the receiver board.
2. Connect cable W93 (E8364-20143) to the A12 source 20 assembly. Position the cable as shown and, while holding the cable in position with one hand, use a 5/16-inch torque wrench set to 10-in-lbs to tighten the connector nut with the other hand.
3. Loosely insert the A13 frequency offset receiver assembly into the analyzer in the location shown. As you insert the A13 assembly, lift cable W93 slightly to prevent the center conductor pin from being damaged.
4. Make sure the connectors on the A13 assembly are properly aligned with the connectors on the A11 board. Make sure that cable W93 moves freely behind the A13 assembly.
5. Firmly push the A13 assembly toward the A11 board to fully engage the connectors.
6. Connect the loose end of cable W93 to the A13 receiver RF IN. Using a 5/16-inch torque wrench set to 10-in-lbs, tighten the connector nut.

Figure 4 A13 Frequency Offset Receiver Assembly, Cable Installation



8362_010_02

Figure 5 A13 Frequency Offset Receiver Assembly, Installation



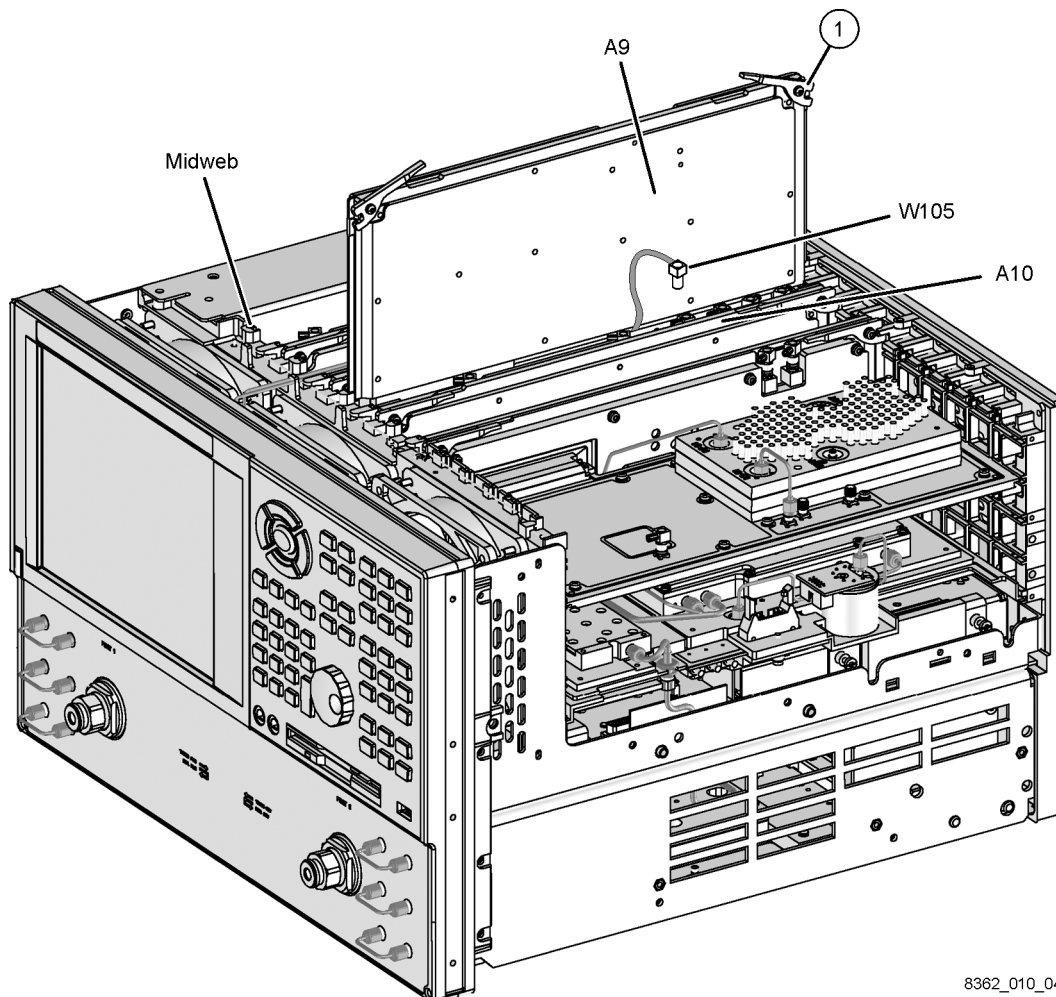
8362_010_03

Step 3. Install the A9 Fractional-N Synthesizer Board

Refer to [Figure 6](#) for this procedure.

1. With a T-10 TORX driver, remove the two brackets that secure cables to the top of the midweb.
2. Connect one end of cable W105 (E8364-60018) to A9 J105 at the bottom of the A9 board. Route the cable beneath the A9 board so that the other end can be connected to the A10 board.
3. Loosely insert the A9 fractional-N synthesizer board into the analyzer in the location shown. Be careful not to drop cable W105 between the boards.
4. Connect the loose end of W105 to A10 J11. Make sure that the cable moves freely under the A9 board.
5. Make sure the connectors at the bottom of the A9 board are properly aligned with the motherboard connectors and that the board extractors (item ①) are in the down position.
6. Press firmly on the top of the A9 board to fully engage the connectors.

Figure 6 A9 Fractional-N Synthesizer Board, Installation



8362_010_04

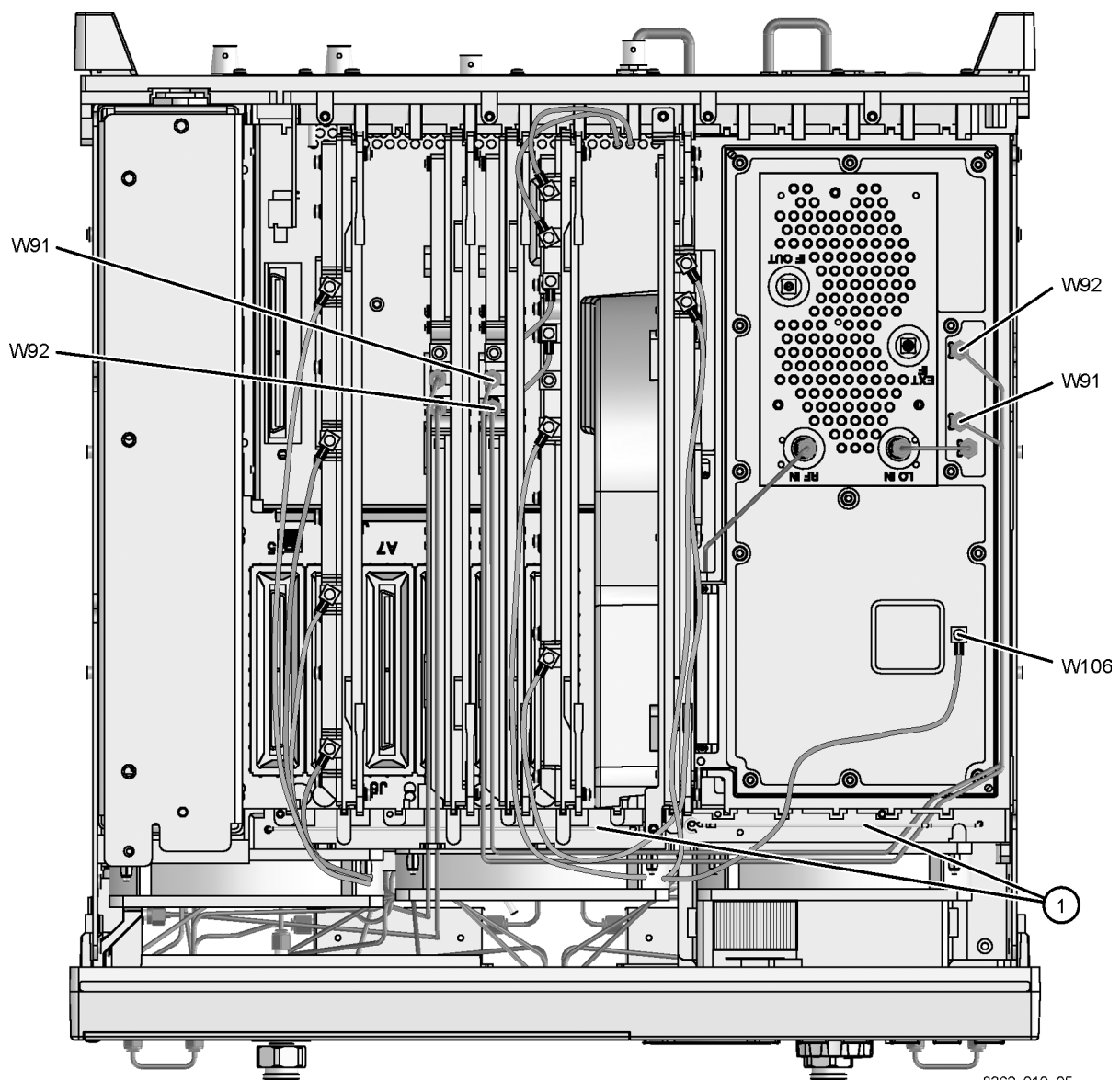
Step 4. Install the Remaining New Cables

Top Cable Connections

Refer to [Figure 7](#) for this procedure.

1. Install the following cables as indicated:
 - W91 E8364-20140 A9 J106 to A13 J4.
 - W92 E8364-20141 A9 J101 to A13 J2.
 - W106 E8364-60017 A13 J6 to bottom side of analyzer. Route W106 through the hole in the chassis as shown.
2. With a T-10 TORX driver, reinstall the two brackets (item ①) to the top of the midweb.

Figure 7 Top Cable Connections



8362_010_05

Bottom Cable Connection

Raise the Receiver Deck

Refer to [Figure 8](#) for this procedure.

1. Place the analyzer bottom-side up on a flat surface.
2. With a T-10 TORX driver, remove the four screws (item (①)), securing the receiver deck.
3. Pull the latch pin (item (②)) toward the other side of the analyzer to release the receiver deck.
4. Lift the receiver deck to partially raise it, then release the latch pin (item (②)). Lift the receiver deck to its fully raised position and ensure that the latch pin latches in the raised position.

Make the Cable Connection

Refer to [Figure 9](#) for this procedure.

1. Route cable W106 beneath the semirigid cables and through the cable clamp as shown.
2. Connect the end of cable W106 to A35 J502 as shown.

Lower the Receiver Deck

Refer to [Figure 8](#) and [Figure 9](#) for this procedure.

1. Pull the latch pin (item (②)) toward the other side of the analyzer to release the receiver deck.
2. Lift the receiver deck to partially lower it, then release the latch pin (item (②)). Lower the receiver deck to its fully lowered position and ensure that the latch pin latches in the lowered position.
3. With a T-10 TORX driver, install the four screws (item (①)), to secure the receiver deck.

Figure 8 Receiver Deck Raising

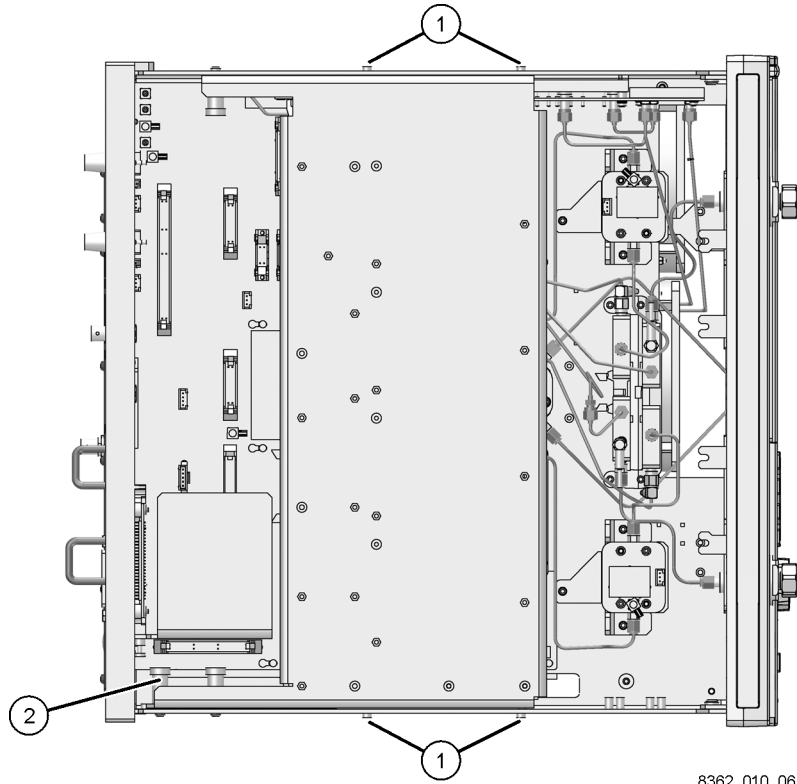
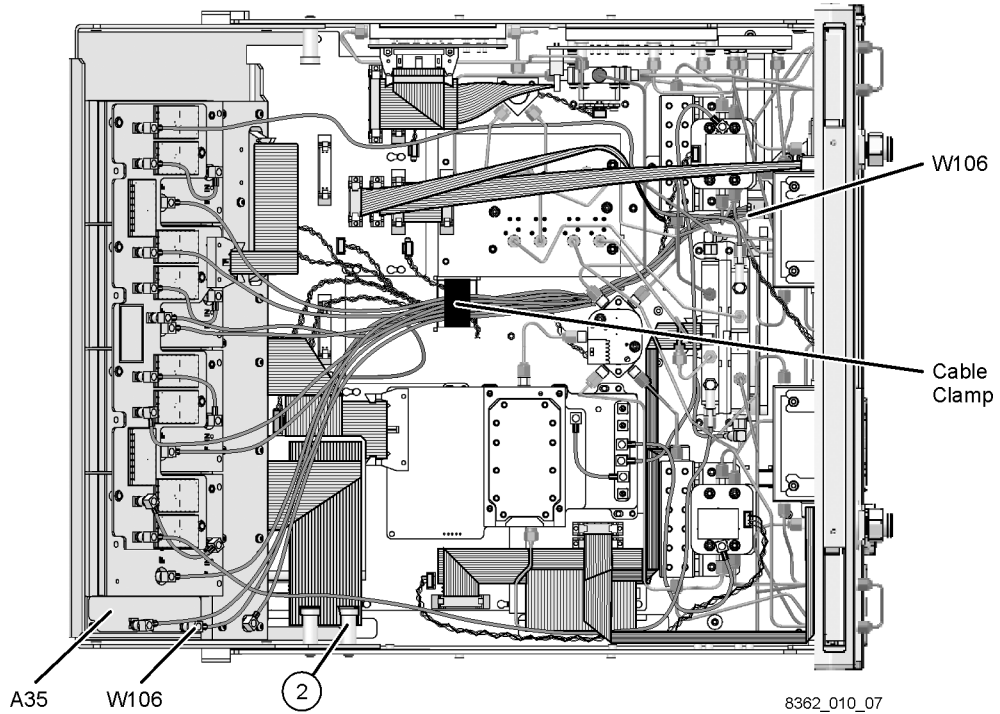


Figure 9 Bottom Cable Connection



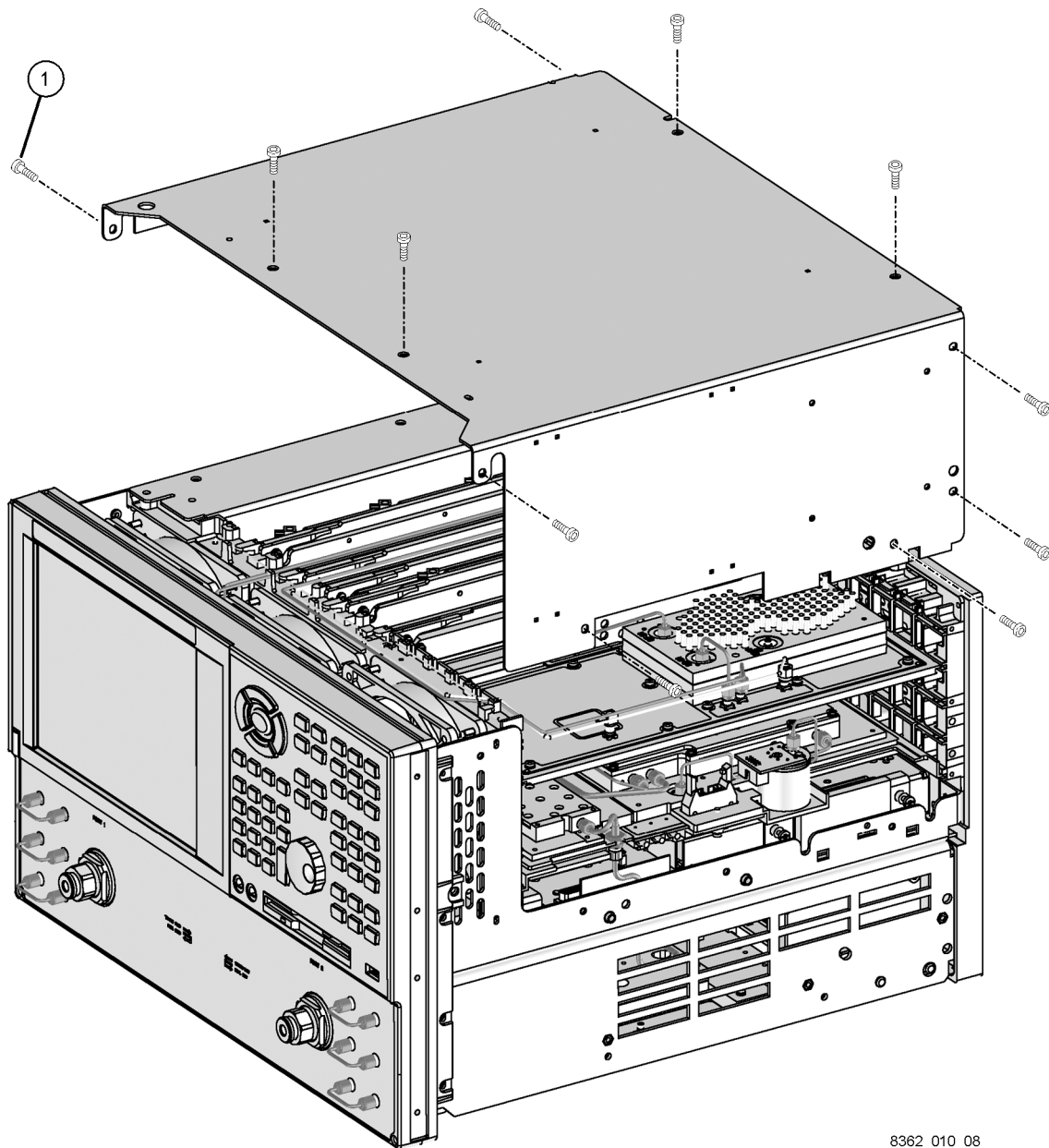
Step 5. Reinstall the Inner and Outer Covers

Refer to [Figure 10](#) for this procedure.

Reinstall the Inner Cover

1. Place the inner cover in position on the analyzer. There are two alignment pins on the front frame that must be aligned with holes in the cover.
2. With a T-10 TORX driver, install the 11 screws (item ①).

Figure 10 Inner Cover Reinstallation



8362_010_08

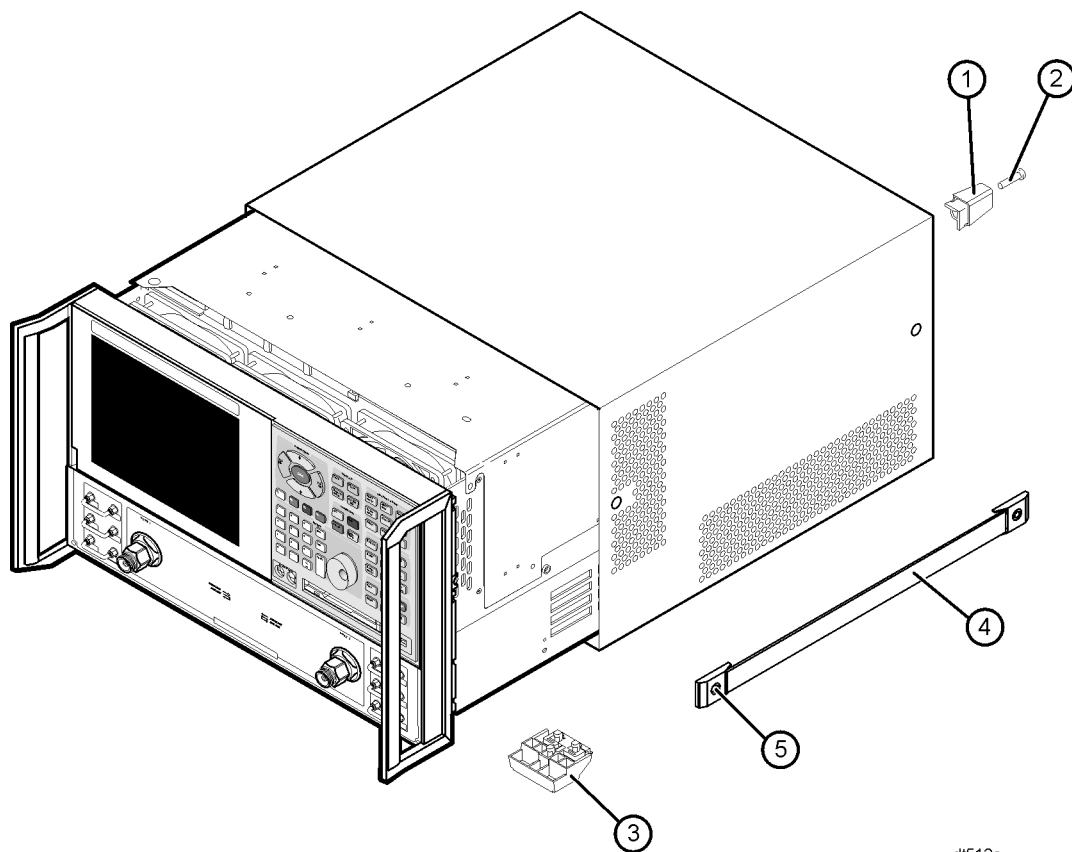
Reinstall the Outer Cover

Refer to [Figure 11](#) for this procedure.

CAUTION This procedure is best performed with the analyzer resting on its front handles in the vertical position. *Do not place the analyzer on its front panel without the handles.* This will damage the front panel assemblies.

1. Slide the cover onto the analyzer.
2. With a T-20 TORX driver, install the four rear-panel feet (item ①) by installing the center screws (item ②).
3. Slide the four bottom feet (item ③) onto the cover.
4. With a T-20 TORX driver, install the strap handles (item ④) by tightening the screw (item ⑤) on each end.

Figure 11 Outer Cover Reinstallation



dt512a

Step 6. Enable Option 080

Requirements

- The analyzer must be powered up and operating to perform this procedure.
- The Network Analyzer program must be running.
- This installation requires that a keyboard and a mouse be connected to the network analyzer.

Verify the Model, Serial, and Option Numbers

Refer to the License Key Certificate supplied with the kit:

- Verify that the analyzer's model and serial numbers match those on the certificate.
- Verify that the option number on the certificate matches the option number described in this installation note.

If the model number, serial number, or option number do not match the expected results, you will not be able to enable the option. If this is the case, contact Agilent for assistance. Refer to [“Getting Assistance from Agilent” on page 17](#).

Procedure

1. On the analyzer's **System** menu, point to **Service**, and then click **Option Enable**.
2. In the **Select Desired Option** list, click **080 - Frequency Offset Mode**.
3. Using the keyboard, enter the keyword in the box provided. The keyword is printed on the License Key Certificate provided in the kit. Enter this keyword *exactly* as it is printed on the certificate.
4. Click **Enable**.
5. Click **Yes** in answer to the displayed question in the **Restart Analyzer?** box.
6. When the installation is complete, click **Exit**.
7. Once the analyzer has restarted and the Network Analyzer program is again running: On the analyzer's **Help** menu, click **About Network Analyzer**.
8. Verify that “080” is listed after “Options:” in the display. Click **OK**.

NOTE If Option 080 has not been enabled, perform step 6 again. If the option is still not enabled, contact Agilent Technologies. Refer to [“Getting Assistance from Agilent” on page 17](#).

Getting Assistance from Agilent

By internet, phone, or fax, get assistance with all your test and measurement needs.

Online assistance: www.agilent.com/find/assist			
Americas			
Brazil (tel) (+55) 11 4197 3600 (fax) (+55) 11 4197 3800	Canada (tel) 877 894 4414 (fax) (+1) 905 282-6495	Mexico (tel) (+52) 55 5081 9469 (alt) 01800 5064 800 (fax) (+52) 55 5081 9467	United States (tel) (+1) 800 452 4844 (alt) (+1) 303 662 3999 (fax) (+1) 888 900 8921
Asia Pacific and Japan			
Australia (tel) 1800 629 485 (alt) 1800 143 243 (fax) 1800 142 134	China (tel) 800 810 0189 (alt) (+86) 10800 650 0021 (fax) 800 820 2816	Hong Kong (tel) 800 930 871 (alt) (+852) 3197 7889 (fax) (+852) 2 506 9233	India (tel) 1600 112 929 (fax) 000800 650 1101
Japan (tel) 0120 421 345 (alt) (+81) 426 56 7832 (fax) 0120 421 678	Malaysia (tel) 1800 888 848 (alt) 1800 828 848 (fax) 1800 801 664	Singapore (tel) 1800 375 8100 (fax) (+65) 6836 0252	South Korea (tel) 080 769 0800 (alt) (+82) 2 2004 5004 (fax) (+82) 2 2004 5115
Taiwan (tel) 0800 047 866 (alt) 00801 651 317 (fax) 0800 286 331	Thailand (tel) 1800 226 008 (alt) (+66) 2 268 1345 (fax) (+66) 2 661 3714		
Europe			
Austria (tel) 0820 87 44 11* (fax) 0820 87 44 22	Belgium (tel) (+32) (0)2 404 9340 (alt) (+32) (0)2 404 9000 (fax) (+32) (0)2 404 9395	Denmark (tel) (+45) 7013 1515 (alt) (+45) 7013 7313 (fax) (+45) 7013 1555	Finland (tel) 08 0052 4000 (alt) (+358) 10 855 2100 (fax) (+358) 92 536 0176
France (tel) 0825 010 700* (alt) (+33) (0)1 6453 5623 (fax) 0825 010 701*	Germany (tel) 01805 24 6333* (alt) 01805 24 6330* (fax) 01805 24 6336*	Ireland (tel) (+353) (0)1 890 924 204 (alt) (+353) (0)1 890 924 206 (fax) (+353) (0)1 890 924 024	Israel (tel) (+972) 3 9288 500 (fax) (+972) 3 9288 501
Italy (tel) (+39) (0)2 9260 8484 (fax) (+39) (0)2 9544 1175	Luxemburg (tel) (+32) (0)2 404 9340 (alt) (+32) (0)2 404 9000 (fax) (+32) (0)2 404 9395	Netherlands (tel) (+31) (0)20 547 2111 (alt) (+31) (0)20 547 2000 (fax) (+31) (0)20 547 2190	Russia (tel) (+7) 095 797 3963 (alt) (+7) 095 797 3900 (fax) (+7) 095 797 3901
Spain (tel) (+34) 91 631 3300 (alt) (+34) 91 631 3000 (fax) (+34) 91 631 3301	Sweden (tel) 0200 88 22 55* (alt) (+46) (0)8 5064 8686 (fax) 020 120 2266*	Switzerland (French) (tel) 0800 80 5353 opt. 2* (alt) (+33) (0)1 6453 5623 (fax) (+41) (0)22 567 5313	Switzerland (German) (tel) 0800 80 5353 opt. 1* (alt) (+49) (0)7031 464 6333 (fax) (+41) (0)1 272 7373
Switzerland (Italian) (tel) 0800 80 5353 opt. 3* (alt) (+39) (0)2 9260 8484 (fax) (+41) (0)22 567 5314	United Kingdom (tel) (+44) (0)7004 666666 (alt) (+44) (0)7004 123123 (fax) (+44) (0)7004 444555		
(tel) = primary telephone number; (alt) = alternate telephone number; (fax) = FAX number; * = in country number			

